

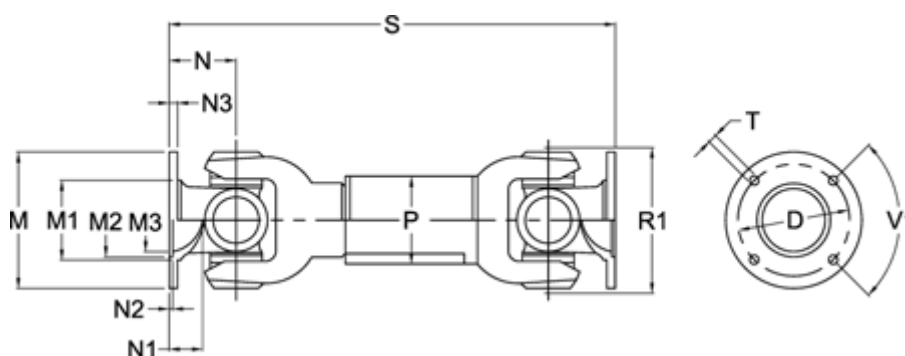
Data Sheet



Article number: 071131300345035

Description: Cardan drive shaft 0.113.130.001
S=345 X=35 Bore with keyway

Measures



D	= 101,5 +-0,1
Extension X	= 35
Flange diameter M	= 120
M1	= 80.5
M2	= 75
M3	= 69
Max. Bending Angle degrees	= 20
N	= 60

N1	= 27.5
N2	= 2,5 +0,5
N3	= 9
Number og Flangeholes	= 8
P	= 70x4
R1	= 125
S min	= 345
Spline dim. DIN 5480	= 50x2x24

T	= 10 B12
V1 degrees	= 45